

SCREEN MACHINE™ 4043TR IMPACT CRUSHER

AMERICAN-MADE INNOVATION SINCE 1966

2-IN-1 CRUSHING AND SCREENING

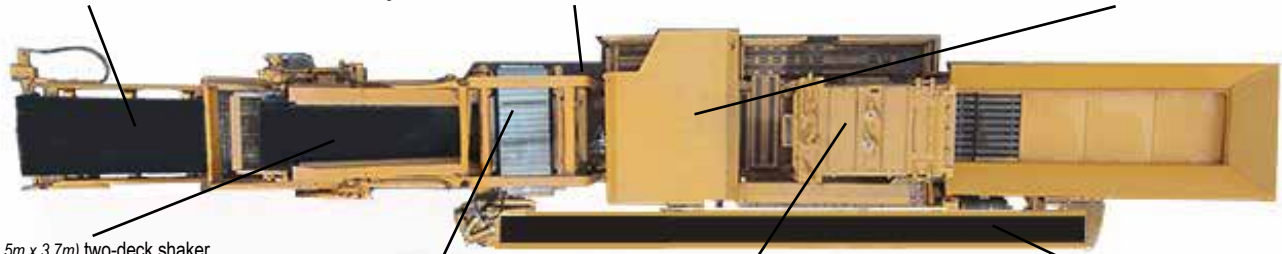
- **Crusher With Large Double-Deck Screen**
- **Front Fines Conveyor For Sized Material**
- **Radial Side Overs Conveyor Feeds Back Into Hopper, Or Usable As A Second Stacker**



48" (1,219mm) wide fines conveyor delivers sized material off the front of the machine

Directionally reversible, 42" (1,066mm) wide conveyor with impact bed and guide idlers create maintenance-free material flows

Choice of CAT® C9.3B 376 HP (280kw) Tier IV Final diesel engine (or) Volvo® D11 355 HP (265kw) Tier IV Final diesel engine

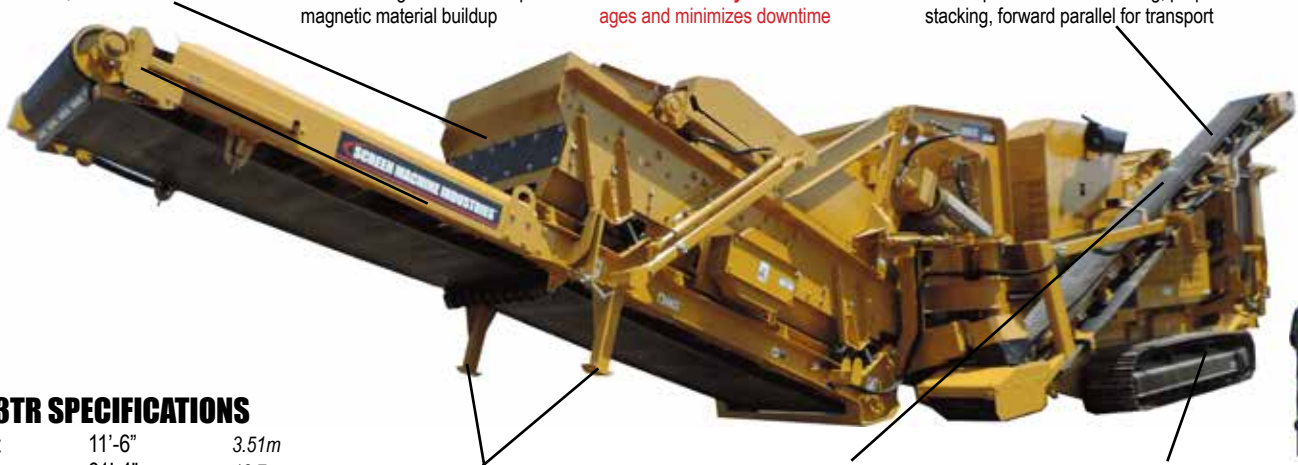


5' x 12' (1.5m x 3.7m) two-deck shaker screens, with heavy throw (3/8" at 1,100 rpm). Patented Smooth Start® Technology eliminates low-speed stress

Cross-belt magnet with stainless steel cladding and chutes to prevent magnetic material buildup

Unique and patented remote controlled **Crusher Relief System™** clears blockages and minimizes downtime

20" (508mm) recirculating conveyor pivots 180 degrees — rear parallel for recirculating, perpendicular for side stacking, forward parallel for transport



4043TR SPECIFICATIONS

| | | |
|--------------|-------------|----------|
| Height | 11'-6" | 3.51m |
| Length | 61'-4" | 18.7m |
| Width | 10'-10" | 3.3m |
| Total Weight | 98,000 lbs. | 44,450Kg |

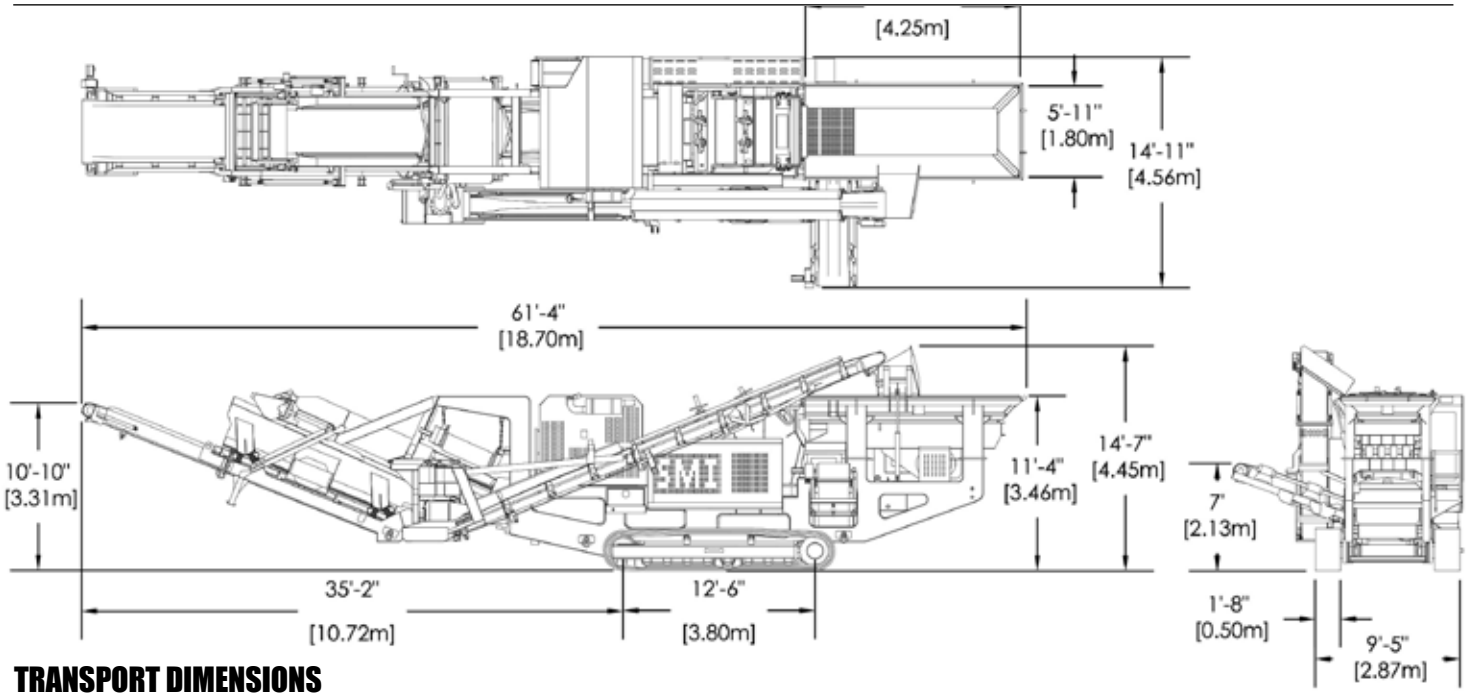
Front support legs for operating stability.

20" (508mm) recirculating conveyor with cross conveyor for smooth material flow.

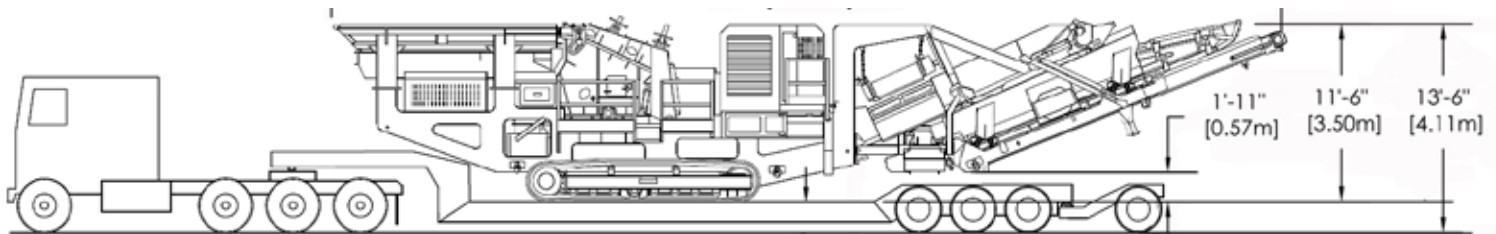
Heavy-duty tracked undercarriage with easy-to-use wireless remote control, allowing for quick and efficient set-up and operation



OPERATING DIMENSIONS



TRANSPORT DIMENSIONS



CRUSHER

- 40" (1,020mm) diameter rotor x 43" (1,090mm) impact crusher
- Lid Crusher Relief System™ with 6" (152mm) raise feature
- Feed inlet opening: 43" (1,092mm) wide x 28" (711mm) high
- 2 adjustable curtains (apron wrench tool provided)
- Maximum primary curtain adjustment of 8" (203mm)
- 4-bar rotor design

POWER SYSTEMS and CONTROLS

- CAT® C9.3 376 HP Diesel Engine Tier IV Final diesel engine (or)
- Volvo® D11 355 HP Diesel Engine Tier IV Final diesel engine
- 150 gallon (568L) baffled hydraulic tank and oil cooler
- 175 gallon (662L) diesel fuel tank capacity
- Lockable control panel and engine compartment

VIBRATORY GRIZZLY FEEDER

- Automatic stop — start feed matched to crusher speed
- Feed height 11'-03" (3.43m)
- Feed length 13' Long (3.96m)
- Feed width 40" (1.02m)
- US-made grade 80 Steel 1/2" (12.7 mm) hopper walls
- AR400 grizzly bar material with 1.5" (38mm) nominal opening
- Grizzly/crusher bypass lever for fines removal
- Remote control vibratory feeder speed (600-850 RPM)

PERMANENT MAGNET

- Fully adjustable and reversible cross belt magnet
- Stainless steel chutes, stainless armor clad with flights

CONVEYORS

- 42" (1,067mm) 440 PIW main discharge conveyor belt
- Reversible main belt
- Martin® Pit Viper belt cleaner for main belt
- Impact bed lined with ultra-high molecular weight plastic
- 10'-6" (3.2m) fines discharge height
- 24" (610mm) 220 PIW side discharge conveyor belt
- 7'-0" (2.13m) side discharge height
- Rubber disc return idlers
- Wing type tail pulleys
- Herringbone/lagged head pulley with belt adjuster
- 5" (127mm) troughing and return idler

UNDERCARRIAGE and BUILD-OUT STRUCTURE

- Heavy-duty tracked undercarriage for Jobsite Mobility
- US-made grade 80 steel unibody frame construction
- 4 emergency shutoff safety stops
- Full stop button on wireless remote control
- Non-slip decking and grids and ladders for safety
- Remote control 8-Button operation and travel
- Blow bar maintenance lifting tool
- Blow bar wear life maintenance measuring tool

LOADING OPERATION

- 8-Yard (7.32m) feed hopper
- 2-6 Cubic Yard loader (1.6m³ - 4.6m³)

| Height | Length | Width | Weight | Hopper Opening | Crusher | Rotor | Main Conveyor | Discharge Height | Fines Conveyor | Discharge Height | Side Stacker | Discharge Height | Engine | Crusher Speed | Tracks | Fuel Capacity | Hydraulic Capacity |
|----------------|-----------------|-----------------|------------------------|-------------------------------|------------------------------|--------------------------------|----------------|------------------|----------------|------------------|--------------|------------------|-------------------------------|---------------|-------------------|----------------|--------------------|
| 11'-6" 3.5m | 61'-4" 18.7m | 10'-10" 3.3m | 98,000lbs 44,450kgs | 5'-11"x14" 1.81m x4.25m | 43"x28" 1,092mm x711mm | 40"x43" 1,016mm x1,092mm | 42" 1,066mm | 11'-3" 3.43m | 48" 1,219mm | 10'-10" 3.31m | 24" 609mm | 7'-0" 2.1m | Cat C9.3 (or) Volvo D11 | 700rpm | 20" wide 508mm | 175gal 663L | 150gal 568L |