

# SCREEN MACHINE® 5256T IMPACT CRUSHER

AMERICAN-MADE INNOVATION SINCE 1966



## HIGH-VOLUME CRUSHING PLANT

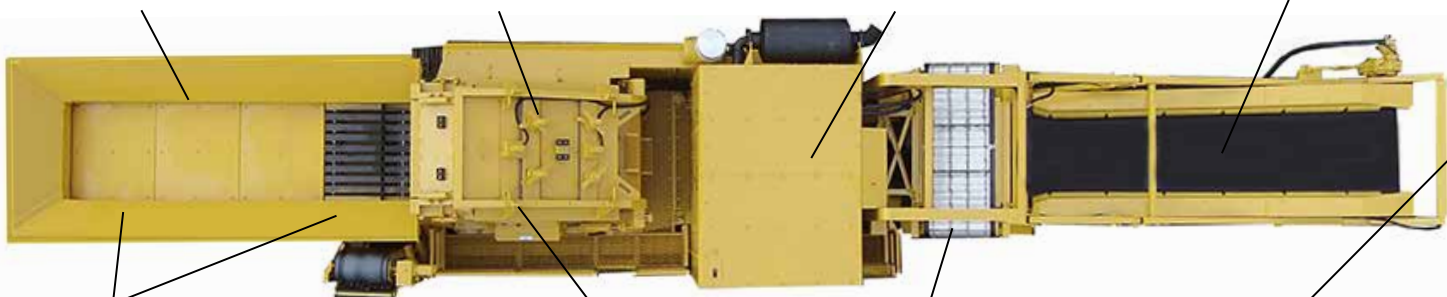
- Large Horizontal Impact Crusher
- Patented Crusher Relief System™
- Performs Multi-Stage Crushing

USA-made Grade 80 steel hopper sides and other vital parts for unmatched strength and durability

Large 52" diameter x 56" wide (1,320mm x 1,420mm) rotor for multi-stage crushing with two hydraulically adjustable curtains

Available with CAT® C13 ACERT or Volvo® D13 diesel engine, both Tier IV Final. Transfluid® fluid coupling eliminates expensive mechanical clutch or hydraulic issues

Directionally reversible, 54" (1,370mm) wide conveyor with impact bed and guide idlers creates maintenance-free material flows

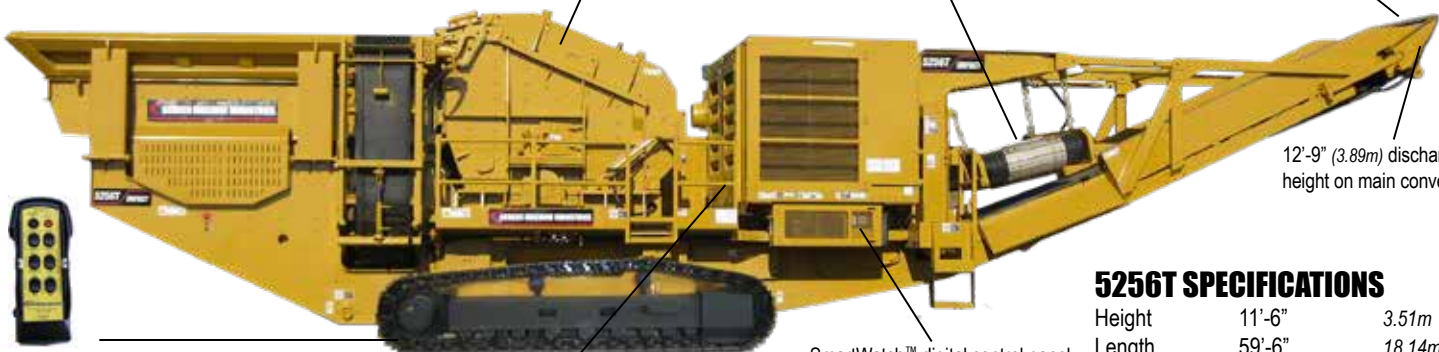


16'-0" (4.88m) long hopper with 52" x 15'-0" (1,320mm x 4.57m) vibratory grizzly feeder

Patented and remote-controlled **Crusher Relief System™** clears blockages and minimizes downtime

Standard cross-belt magnet with stainless steel cladding and chutes to prevent magnetic material build-up

Dust suppression included, pre-chamber, post-chamber and at discharge



Heavy-duty tracked undercarriage with easy-to-use wireless remote control, for quick and efficient set-up and operation

Walk-in engine compartment for easy access during maintenance and service

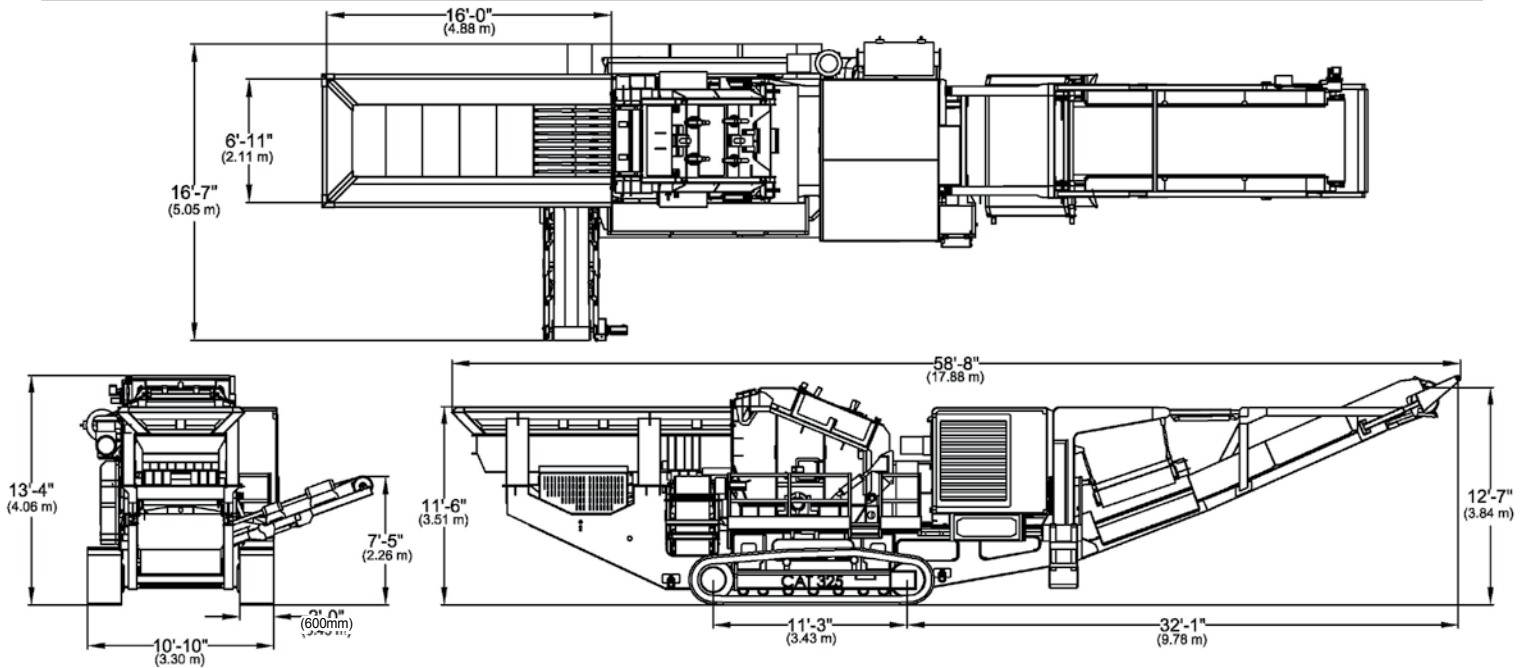
SmartWatch™ digital control panel provides complete performance information and alerts the operator of any potential issues

12'-9" (3.89m) discharge height on main conveyor

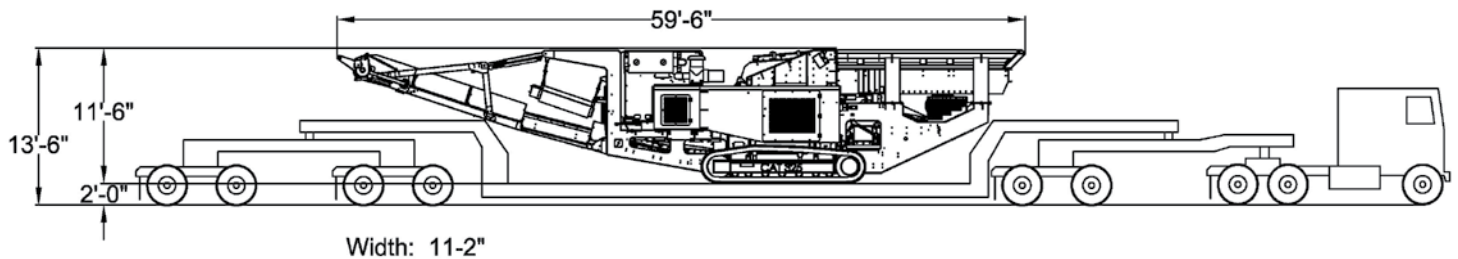
## 5256T SPECIFICATIONS

Height	11'-6"	3.51m
Length	59'-6"	18.14m
Width	11'-2"	3.4m
Total Weight	119,000 lbs.	53,980Kg

## OPERATING DIMENSIONS



## TRANSPORT DIMENSIONS



## CRUSHER

- 52" diameter x 56" wide rotor (1,320mm x 1,420mm)
- Crusher Relief System™ with 6" (152mm) raise feature
- Feed inlet opening: 56" wide x 38" high (1,420mm x 960mm)
- Multi-stage crushing with 2 hydraulically adjustable curtains
- Maximum primary curtain adjustment — 8" (203mm); maximum secondary curtain adjustments — 9" (228mm)
- 4-bar rotor design — 2 live (low chrome ceramic) bars and 2 inactive (low chrome steel) "dummy bars"
- Variable speed rotor

## POWER SYSTEMS and CONTROLS

- CAT® ACERT C13 475 HP Tier IV Final diesel engine (or)
- Volvo® D13 502 HP Tier IV Final diesel engine
- 150 gallon (568L) baffled hydraulic tank and oil cooler
- 275 gallon (1,041L) diesel fuel tank capacity
- Lockable control panel and engine compartment

## VIBRATORY GRIZZLY FEEDER

- 52" x 15'-0" (1,320mm x 4.57m) feeder with auto stop-start feed
- Hopper length: 16'-0" (4.88m); hopper capacity: 10.5 cu. yard (8.03m<sup>3</sup>)
- Feed width: 6'-11" (2.11m); feed height 11'- 6" (3.51m)
- AR 400 grizzly bar material with 1.5" (38mm) nominal opening
- Grizzly/crusher bypass lever for fines removal
- Remote control vibratory feeder speed: 575-850 RPM
- Walls and floor feature AR400 replaceable liners
- USA-made Grade 80 Steel 1/2" (12.7m) hopper walls

## PERMANENT MAGNET

- Fully adjustable cross belt magnet
- Suspended by chains, with stainless steel chutes on both sides
- Stainless armor clad with flights for extended belt life
- UHMW impact bed under main belt
- On/Off and variable speed control

## CONVEYORS

- 54" (1,370mm) wide 600 PIW main discharge belt
- Martin® Pit Viper belt cleaner for main belt
- Precision® head and tail pulleys with spherical bearings
- Impact bed lined with ultra-high molecular weight plastic (UHMW)
- Dodge® gear reducer with hydraulic drive motor
- Rubber disc return rollers to prevent material sticking
- Wing type tail pulleys for reliable uptime productivity
- Herringbone/lagged head pulley
- Main and side fines belts are directionally reversible

## UNDERCARRIAGE and BUILD-OUT STRUCTURE

- Heavy-duty tracked undercarriage
- USA-made Grade 80 steel unibody frame
- 4 emergency shut-off safety stops (1 wireless remote shut-down)
- Remote control operation and travel
- Blow bar wear life measuring tool
- Blow bar lifting tool

## LOADING OPERATION

- 2 - 8 cu. yard loader (1.5m<sup>3</sup> - 6.12m<sup>3</sup>)

Height	Length	Width	Weight	Hopper Opening	Crusher Opening	Rotor	Main Conv. Width	Discharge Height	Fines Conv. Width	Discharge Height	Engine	Crusher Speed	Tracks	Fuel Capacity	Hydraulic Capacity
11'-6"	59'-6"	11'-2"	119,000lbs	6'-11"x16'	56"x38"	52"x56"	54"	12'-9"	24"	7'-6"	CAT C13	600-700 RPM	24" wide	275gal	150gal
3.5m	18.14m	3.4m	53,980Kgs	2.11m x4.88m	1,420mm x965mm	1,032mm x1,420mm	1,370mm	3.89m	610mm	2.29m D13 diesel	(or) Volvo	RPM	600mm	1,041L	568L