



# GIP

1315V Horizontal Shaft Impact Crusher



## The Affordable Alternative in New Crushing Equipment

### Standard Features

Heavy-duty, high inertia, semi-enclosed, balanced rotor

Newly designed wedge type rotor, should make blowbar removal safer and easier

Specially designed, impeller bar design to allow extended life

Rotor locking system for safer and quicker rotor maintenance

Large self-aligning spherical roller bearings with labyrinth seals

Hydraulically opened rear section for easier access to rotor and impact curtains

Hydraulically adjustable impact curtains

Quick and accessible breaker bars for easy replacement and repositioning

Inspection doors in key areas

Large, clear discharge opening

### Optional Features

Electric motor

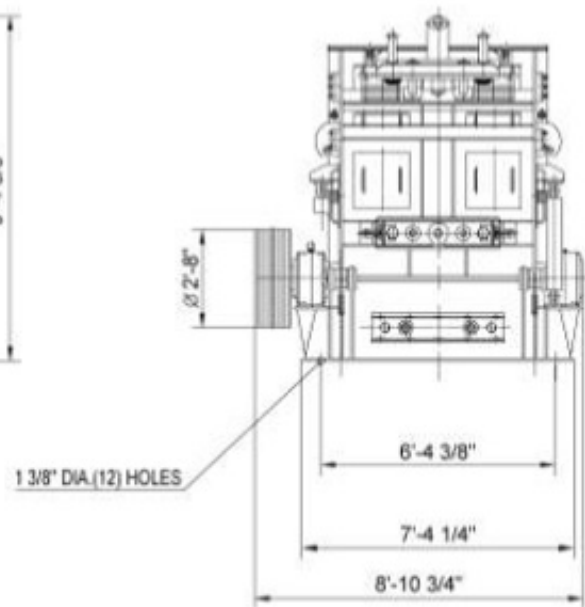
Motor drive sheave and bushing



## The Affordable Alternative in New Crushing Equipment

### Specifications

Feed opening (length x width) .....	60" x 32"	Weight.....	711 LBS each
Maximum feed size .....	20"	Front breaker plate liners	
Production range .....	100 to 250 TPH	Number .....	24
Required horsepower .....	300 HP	Weight.....	98 LBS each
Rotor speed range .....	400 to 700 RPM	Rear breaker plate liners	
Rotor width .....	59"	Number .....	20
Rotor diameter .....	52"	Weight.....	98 LBS each
Discharge setting .....	2" minus	Third breaker plate liners	
Approximate weight .....	48,100 LBS	Number .....	12
Impeller bar		Weight.....	89 LBS each
Number .....	8	Bearing size .....	190 mm



Design & Specifications Subject to Change Without Notice

November 2007

11020 Cherry Avenue, Fontana, CA 92337  
Tel: (909)823-1688 Fax: (909)823-6868