



# PE

2436 Jaw Crusher



## The Affordable Alternative in New Crushing Equipment

### Standard Features

- Single wall main frame of stress relieved steel
- Open back for easy maintenance
- All working parts lubricated for moisture and dirt protection
- Reversible manganese jaw dies for maximum wear life
- Large, spherical, self-aligning roller bearings
- Isolated, close running annular/labyrinth seals protect bearings from dust and water
- Removable pitman/bearing assembly for maintenance ease
- Hydraulic or manual shim adjustment
- Heavy duty, cast steel pitman with machined barrel
- Machined pitman face for full swing jaw die support
- Smooth running flywheels with compression ring fastening arrangement
- Pitman wear plate
- Two piece side plates

### Optional Features

- Electric motor
- Drive sheave and bushing



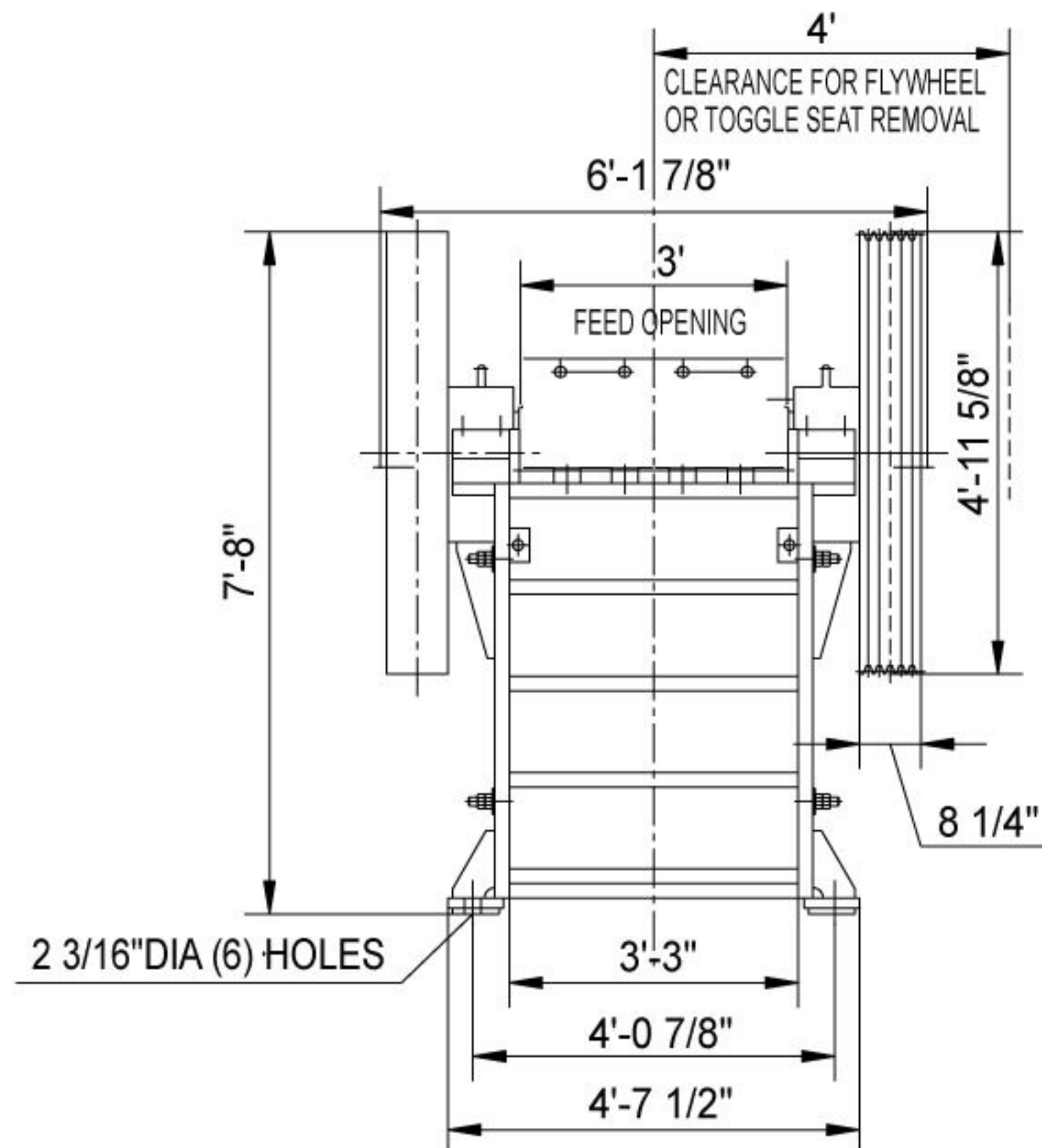
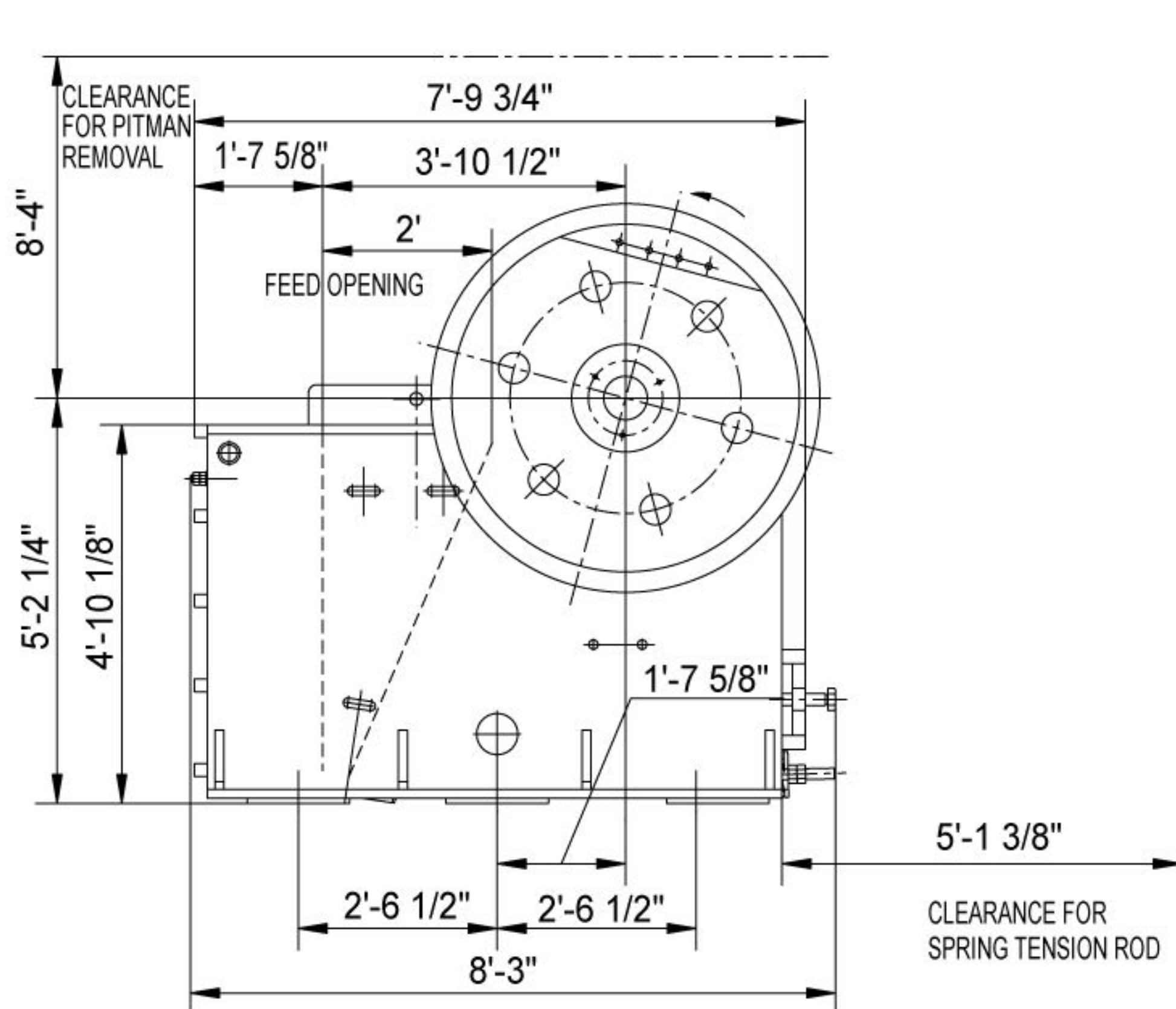


## The Affordable Alternative in New Crushing Equipment

### Specifications

Feed opening .....	24" × 36"
Discharge setting .....	3" to 5"
Maximum feed size .....	20"
Production range .....	70 to 170 TPH
<b>Discharge setting</b>	
3" .....	70 to 90 TPH
3-1/2" .....	80 to 110 TPH
4" .....	90 to 120 TPH
4-1/2" .....	110 to 140 TPH
5" .....	120 to 170 TPH
Required horsepower .....	100 HP
Rotor speed .....	250 RPM

<b>Weights (LBS)</b>	
Crusher .....	31,500
Flywheel .....	3,100
Swing jaw die .....	1,750
Fixed jaw die .....	1,600
<b>Standard part dimensions (inches)</b>	
Fixed jaw length .....	48 7/8
Swing jaw length .....	55 1/8
<b>Bearing information</b>	
Pitman bearing No. ....	23148CA/W33
Frame bearing No. ....	22244CAK/W33



Note: Because of the nature of jaw crushers, it is not possible to produce a product all of which will pass a screen opening equivalent to the discharge setting. Oversize should be expected, and will fluctuate depending on the rock characteristics. For close settings, all undersize material should be screened off to increase the effectiveness of the jaw and to reduce wear on the jaw dies. Although the crusher may be configured to have a different discharge opening than indicated above, this crusher model is not designed to operate at other settings.