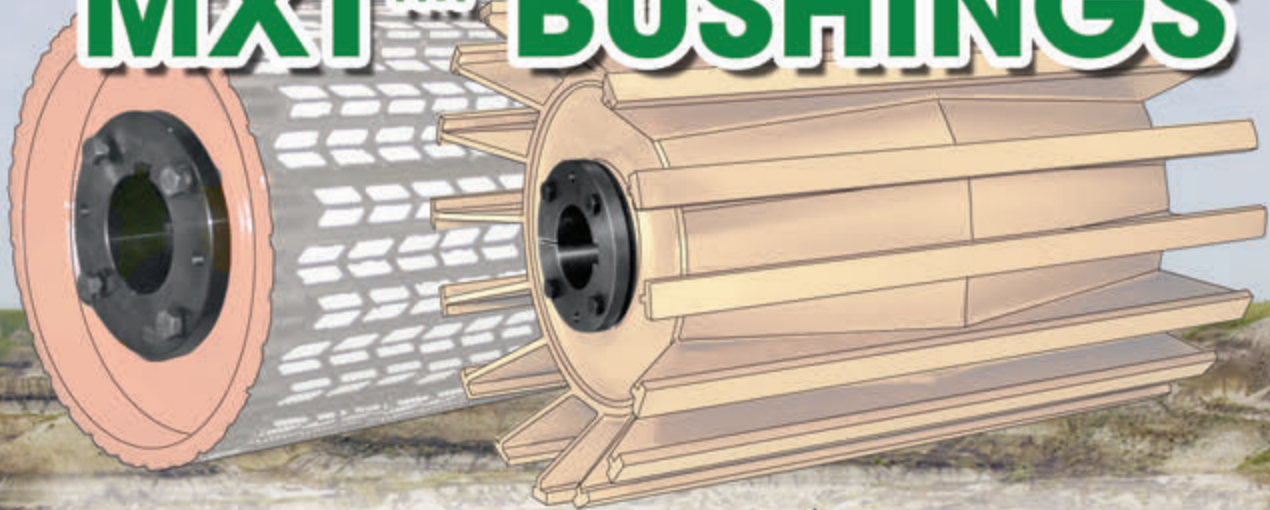
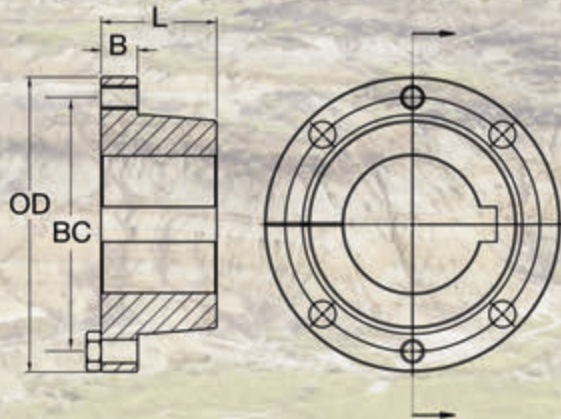


# Martin MXT™ BUSHINGS



*Martin's* MXT and MXT-STL Bushings are available from all *Martin* locations to fit popular pulley sizes. *Martin* stocks both MXT & MXT-STL bushings in a wide range of bores for each bushing size.



- In stock all over North America.
- 24 Hour Service.
- Specifically designed for conveyor pulley applications.
- Reduced stress on end disc during installation.
- Specially designed taper requires minimal axial movement of the hub and end disc during installation.
- Available in a wide range of bore sizes.



*Martin* SPROCKET & GEAR, INC.



www.martinsprocket.com • "The ONE You Rely On" • 817-258-3000



# MXT™ Bushing Interchange

Dodge	Luff	PPI	Superior	Van Gorp	Continental	Mazda Part Number		Max. Bore (in.)	Dimensions				Cap Screws		Wrench Torque (Ft./Lbs.)				
						Cast / Ductile	Steel		Length thru Bore (L)	Flange Width (B)	Flange O.D.	Bolt Height (D)	Bolt Circles (BC)	No.		Size	Wt. Lbs.	Stock Bore (Inches)	Standard Stock Bore Keyseat*
226830	XT 15 5/8	X150010	XT15 5/8	XTB15 5/8	CXB15 5/8	MXT15 5/8	MXT-STL15 5/8	1-1/2	3/8	2-7/8	5/32	2-7/16	4	1/4 x 1	0.7	5/8	3/16 x 3/32	10	
226831	XT 15 3/4	X150012	XT15 3/4	XTB15 3/4	CXB15 3/4	MXT15 3/4	MXT-STL15 3/4	1-1/2	3/8	2-7/8	5/32	2-7/16	4	1/4 x 1	0.7	3/4	3/16 x 3/32	10	
226832	XT 15 7/8	X150014	XT15 7/8	XTB15 7/8	CXB15 7/8	MXT15 7/8	MXT-STL15 7/8	1-1/2	3/8	2-7/8	5/32	2-7/16	4	1/4 x 1	0.7	7/8	3/16 x 3/32	10	
226833	XT 15 1	X150100	XT15 1	XTB15 1	CXB15 1	MXT15 1	MXT-STL15 1	1-1/2	3/8	2-7/8	5/32	2-7/16	4	1/4 x 1	0.7	1	1/4 x 1/8	10	
226834	XT 15 1 1/8	X150102	XT15 1 1/8	XTB15 1 1/8	CXB15 1 1/8	MXT15 1 1/8	MXT-STL15 1 1/8	1-1/2	3/8	2-7/8	5/32	2-7/16	4	1/4 x 1	0.7	1-1/8	1/4 x 1/8	10	
226835	XT 15 1 3/16	X150103	XT15 1 3/16	XTB15 1 3/16	CXB15 1 3/16	MXT15 1 3/16	MXT-STL15 1 3/16	1-1/2	3/8	2-7/8	5/32	2-7/16	4	1/4 x 1	0.7	1-3/16	1/4 x 1/8	10	
226836	XT 15 1 1/4	X150104	XT15 1 1/4	XTB15 1 1/4	CXB15 1 1/4	MXT15 1 1/4	MXT-STL15 1 1/4	1-1/2	3/8	2-7/8	5/32	2-7/16	4	1/4 x 1	0.7	1-1/4	1/4 x 1/8	10	
226837	XT 15 1 7/16	X150107	XT15 1 7/16	XTB15 1 7/16	CXB15 1 7/16	MXT15 1 7/16	MXT-STL15 1 7/16	1-1/2	3/8	2-7/8	5/32	2-7/16	4	1/4 x 1	0.7	1-7/16	3/8 x 1/8*	10	
226838	XT 15 1 1/2	X150108	XT15 1 1/2	XTB15 1 1/2	CXB15 1 1/2	MXT15 1 1/2	MXT-STL15 1 1/2	1-1/2	3/8	2-7/8	5/32	2-7/16	4	1/4 x 1	0.7	1-1/2	3/8 x 1/8*	10	
226839	XT 20	X200012	XT20	XTB20	CXB20	MXT20	MXT-STL20	2	1-13/32	15/32	7/32	3-3/16	4	5/16 x 1-1/4	1.5	3/4	3/16 x 3/32	17	
226840	XT 20 1	X200100	XT20 1	XTB20 1	CXB20 1	MXT20 1	MXT-STL20 1	2	1-13/32	15/32	7/32	3-3/16	4	5/16 x 1-1/4	1.5	1	1/4 x 1/8	17	
226841	XT 20 1 3/16	X200103	XT20 1 3/16	XTB20 1 3/16	CXB20 1 3/16	MXT20 1 3/16	MXT-STL20 1 3/16	2	1-13/32	15/32	7/32	3-3/16	4	5/16 x 1-1/4	1.5	1-3/16	1/4 x 1/8	17	
226842	XT 20 1 1/4	X200104	XT20 1 1/4	XTB20 1 1/4	CXB20 1 1/4	MXT20 1 1/4	MXT-STL20 1 1/4	2	1-13/32	15/32	7/32	3-3/16	4	5/16 x 1-1/4	1.5	1-1/4	1/4 x 1/8	17	
226843	XT 20 1 7/16	X200107	XT20 1 7/16	XTB20 1 7/16	CXB20 1 7/16	MXT20 1 7/16	MXT-STL20 1 7/16	2	1-13/32	15/32	7/32	3-3/16	4	5/16 x 1-1/4	1.5	1-7/16	3/8 x 3/16	17	
226844	XT 20 1 1/2	X200108	XT20 1 1/2	XTB20 1 1/2	CXB20 1 1/2	MXT20 1 1/2	MXT-STL20 1 1/2	2	1-13/32	15/32	7/32	3-3/16	4	5/16 x 1-1/4	1.5	1-1/2	3/8 x 3/16	17	
226845	XT 20 1 1/16	X200111	XT20 1 1/16	XTB20 1 1/16	CXB20 1 1/16	MXT20 1 1/16	MXT-STL20 1 1/16	2	1-13/32	15/32	7/32	3-3/16	4	5/16 x 1-1/4	1.5	1-11/16	3/8 x 3/16	17	
226846	XT 20 1 15/16	X200115	XT20 1 15/16	XTB20 1 15/16	CXB20 1 15/16	MXT20 1 15/16	MXT-STL20 1 15/16	2	1-13/32	15/32	7/32	3-3/16	4	5/16 x 1-1/4	1.5	1-15/16	1/2 x 3/16*	17	
226847	XT 20 2	X200200	XT20 2	XTB20 2	CXB20 2	MXT20 2	MXT-STL20 2	2	1-13/32	15/32	7/32	3-3/16	4	5/16 x 1-1/4	1.5	2	1/2 x 3/16*	17	
226848	XT 25 1	X250100	XT25 1	XTB25 1	CXB25 1	MXT25 1	MXT-STL25 1	2	1-13/32	15/32	7/32	3-3/16	4	5/16 x 1-1/4	1.5	1	1/4 x 1/8	29	
226849	XT 25 1 3/16	X250103	XT25 1 3/16	XTB25 1 3/16	CXB25 1 3/16	MXT25 1 3/16	MXT-STL25 1 3/16	2 1/2	1-7/8	4-7/16	1/4	3-3/4	4	3/8 x 1-3/4	2.6	1-3/16	1/4 x 1/8	29	
226850	XT 25 1 1/4	X250104	XT25 1 1/4	XTB25 1 1/4	CXB25 1 1/4	MXT25 1 1/4	MXT-STL25 1 1/4	2 1/2	1-7/8	4-7/16	1/4	3-3/4	4	3/8 x 1-3/4	2.6	1-1/4	1/4 x 1/8	29	
226851	XT 25 1 7/16	X250107	XT25 1 7/16	XTB25 1 7/16	CXB25 1 7/16	MXT25 1 7/16	MXT-STL25 1 7/16	2 1/2	1-7/8	4-7/16	1/4	3-3/4	4	3/8 x 1-3/4	2.6	1-7/16	3/8 x 3/16	29	
226852	XT 25 1 1/2	X250108	XT25 1 1/2	XTB25 1 1/2	CXB25 1 1/2	MXT25 1 1/2	MXT-STL25 1 1/2	2 1/2	1-7/8	4-7/16	1/4	3-3/4	4	3/8 x 1-3/4	2.6	1-1/2	3/8 x 3/16	29	
226853	XT 25 1 11/16	X250111	XT25 1 11/16	XTB25 1 11/16	CXB25 1 11/16	MXT25 1 11/16	MXT-STL25 1 11/16	2 1/2	1-7/8	4-7/16	1/4	3-3/4	4	3/8 x 1-3/4	2.6	1-11/16	3/8 x 3/16	29	
226854	XT 25 1 15/16	X250115	XT25 1 15/16	XTB25 1 15/16	CXB25 1 15/16	MXT25 1 15/16	MXT-STL25 1 15/16	2 1/2	1-7/8	4-7/16	1/4	3-3/4	4	3/8 x 1-3/4	2.6	1-15/16	1/2 x 1/4	29	
226855	XT 25 2	X250200	XT25 2	XTB25 2	CXB25 2	MXT25 2	MXT-STL25 2	2 1/2	1-7/8	4-7/16	1/4	3-3/4	4	3/8 x 1-3/4	2.6	2	1/2 x 1/4	29	
226856	XT 25 2 3/16	X250203	XT25 2 3/16	XTB25 2 3/16	CXB25 2 3/16	MXT25 2 3/16	MXT-STL25 2 3/16	2 1/2	1-7/8	4-7/16	1/4	3-3/4	4	3/8 x 1-3/4	2.6	2-3/16	1/2 x 1/4	29	
226857	XT 25 2 7/16	X250207	XT25 2 7/16	XTB25 2 7/16	CXB25 2 7/16	MXT25 2 7/16	MXT-STL25 2 7/16	2 1/2	1-7/8	4-7/16	1/4	3-3/4	4	3/8 x 1-3/4	2.6	2-7/16	5/8 x 1/8*	29	
226858	XT 30 1 7/16	X300107	XT30 1 7/16	XTB30 1 7/16	CXB30 1 7/16	MXT30 1 7/16	MXT-STL30 1 7/16	2 1/2	1-7/8	4-7/16	1/4	3-3/4	4	3/8 x 1-3/4	2.6	1-7/16	3/8 x 3/16	46	
226859	XT 30 1 1/2	X300108	XT30 1 1/2	XTB30 1 1/2	CXB30 1 1/2	MXT30 1 1/2	MXT-STL30 1 1/2	3	2-1/16	11/16	5-5/16	9/32	4-9/16	4	7/16 x 1-1/2	4.2	1-1/2	3/8 x 3/16	46
226860	XT 30 1 11/16	X300111	XT30 1 11/16	XTB30 1 11/16	CXB30 1 11/16	MXT30 1 11/16	MXT-STL30 1 11/16	3	2-1/16	11/16	5-5/16	9/32	4-9/16	4	7/16 x 1-1/2	4.2	1-11/16	3/8 x 3/16	46
226861	XT 30 1 15/16	X300115	XT30 1 15/16	XTB30 1 15/16	CXB30 1 15/16	MXT30 1 15/16	MXT-STL30 1 15/16	3	2-1/16	11/16	5-5/16	9/32	4-9/16	4	7/16 x 1-1/2	4.2	1-15/16	1/2 x 1/4	46
226862	XT 30 2 3/16	X300203	XT30 2 3/16	XTB30 2 3/16	CXB30 2 3/16	MXT30 2 3/16	MXT-STL30 2 3/16	3	2-1/16	11/16	5-5/16	9/32	4-9/16	4	7/16 x 1-1/2	4.2	2-3/16	1/2 x 1/4	46
226863	XT 30 2 7/16	X300207	XT30 2 7/16	XTB30 2 7/16	CXB30 2 7/16	MXT30 2 7/16	MXT-STL30 2 7/16	3	2-1/16	11/16	5-5/16	9/32	4-9/16	4	7/16 x 1-1/2	4.2	2-7/16	5/8 x 5/16	46
226864	XT 30 2 1/2	X300208	XT30 2 1/2	XTB30 2 1/2	CXB30 2 1/2	MXT30 2 1/2	MXT-STL30 2 1/2	3	2-1/16	11/16	5-5/16	9/32	4-9/16	4	7/16 x 1-1/2	4.2	2-7/16	5/8 x 5/16	46
226865	XT 30 2 15/16	X300215	XT30 2 15/16	XTB30 2 15/16	CXB30 2 15/16	MXT30 2 15/16	MXT-STL30 2 15/16	3	2-1/16	11/16	5-5/16	9/32	4-9/16	4	7/16 x 1-1/2	4.2	2-15/16	5/8 x 5/16	46
226866	XT 30 3	X300300	XT30 3	XTB30 3	CXB30 3	MXT30 3	MXT-STL30 3	3	2-1/16	11/16	5-5/16	9/32	4-9/16	4	7/16 x 1-1/2	4.2	3	3/4 x 3/16*	46
226867	XT 35 1 15/16	X350115	XT35 1 15/16	XTB35 1 15/16	CXB35 1 15/16	MXT35 1 15/16	MXT-STL35 1 15/16	3 1/2	2-15/32	25/32	6-5/16	5/16	5-7/16	4	1 1/2 x 1-3/4	7.4	1-15/16	1/2 x 1/4	70
226868	XT 35 2 3/16	X350203	XT35 2 3/16	XTB35 2 3/16	CXB35 2 3/16	MXT35 2 3/16	MXT-STL35 2 3/16	3 1/2	2-15/32	25/32	6-5/16	5/16	5-7/16	4	1 1/2 x 1-3/4	7.4	2-3/16	1/2 x 1/4	70
226869	XT 35 2 7/16	X350207	XT35 2 7/16	XTB35 2 7/16	CXB35 2 7/16	MXT35 2 7/16	MXT-STL35 2 7/16	3 1/2	2-15/32	25/32	6-5/16	5/16	5-7/16	4	1 1/2 x 1-3/4	7.4	2-7/16	5/8 x 5/16	70
226870	XT 35 2 1/2	X350208	XT35 2 1/2	XTB35 2 1/2	CXB35 2 1/2	MXT35 2 1/2	MXT-STL35 2 1/2	3 1/2	2-15/32	25/32	6-5/16	5/16	5-7/16	4	1 1/2 x 1-3/4	7.4	2-1/2	5/8 x 5/16	70
226871	XT 35 2 11/16	X350211	XT35 2 11/16	XTB35 2 11/16	CXB35 2 11/16	MXT35 2 11/16	MXT-STL35 2 11/16	3 1/2	2-15/32	25/32	6-5/16	5/16	5-7/16	4	1 1/2 x 1-3/4	7.4	2-11/16	5/8 x 5/16	70
226872	XT 35 2 15/16	X350215	XT35 2 15/16	XTB35 2 15/16	CXB35 2 15/16	MXT35 2 15/16	MXT-STL35 2 15/16	3 1/2	2-15/32	25/32	6-5/16	5/16	5-7/16	4	1 1/2 x 1-3/4	7.4	2-15/16	3/4 x 3/8	70
226873	XT 35 3	X350300	XT35 3	XTB35 3	CXB35 3	MXT35 3	MXT-STL35 3	3 1/2	2-15/32	25/32	6-5/16	5/16	5-7/16	4	1 1/2 x 1-3/4	7.4	3	7/8 x 5/16*	70
226874	XT 35 3 7/16	X350307	XT35 3 7/16	XTB35 3 7/16	CXB35 3 7/16	MXT35 3 7/16	MXT-STL35 3 7/16	3 1/2	2-15/32	25/32	6-5/16	5/16	5-7/16	4	1 1/2 x 1-3/4	7.4	3-7/16	7/8 x 5/16*	70
226875	XT 35 3 1/2	X350308	XT35 3 1/2	XTB35 3 1/2	CXB35 3 1/2	MXT35 3 1/2	MXT-STL35 3 1/2	3 1/2	2-15/32	25/32	6-5/16	5/16	5-7/16	4	1 1/2 x 1-3/4	7.4	3-1/2	7/8 x 5/16*	70
226876	XT 40 2 3/16	X400203	XT40 2 3/16	XTB40 2 3/16	CXB40 2 3/16	MXT40 2 3/16	MXT-STL40 2 3/16	4	2-13/16	7/8	7-1/8	3/8	6-1/8	4	9/16 x 2	10.5	2-3/16	1/2 x 1/4	100
226877	XT 40 2 7/16	X400207	XT40 2 7/16	XTB40 2 7/16	CXB40 2 7/16	MXT40 2 7/16	MXT-STL40 2 7/16	4	2-13/16	7/8	7-1/8	3/8	6-1/8	4	9/16 x 2	10.5	2-7/16	5/8 x 5/16	100
226878	XT 40 2 15/16	X400215	XT40 2 15/16	XTB40 2 15/16	CXB40 2 15/16	MXT40 2 15/16	MXT-STL40 2 15/16	4	2-13/16	7/8	7-1/8	3/8	6-1/8	4	9/16 x 2	10.5	2-15/16	5/8 x 5/16	100
226879	XT 40 3 7/16	X400307	XT40 3 7/16	XTB40 3 7/16	CXB40 3 7/16	MXT40 3 7/16	MXT-STL40 3 7/16	4	2-13/16	7/8	7-1/8	3/8	6-1/8	4	9/16 x 2	10.5	3-7/16	7/8 x 7/16	100
226880	XT 40 3 1/2	X400308	XT40 3 1/2	XTB40 3 1/2	CXB40 3 1/2	MXT40 3 1/2	MXT-STL40 3 1/2	4	2-13/16	7/8	7-1/8	3/8	6-1/8	4	9/16 x 2	10.5	3-1/2	7/8 x 7/16	100

226876	XT 40 3 15/16	X400315	XT40 3 15/16	XTB40 3 15/16	CXB40 3 15/16	MXT40 3 15/16	MXT-STL40 3 15/16	4	2-13/16	7/8	3/8	6-1/8	4	9/16 x 2	10.5	3-15/16	1 x 3/8*	100		
226877	XT 45 2 15/16	X450215	XT45 2 15/16	XTB45 2 15/16	CXB45 2 15/16	MXT45 2 15/16	MXT-STL45 2 15/16	4	1/2	3-5/16	15/16	8	13/32	6-7/8	4	5/8 x 2-1/4	14.8	2-15/16	3/4 x 3/8	140
226878	XT 45 3 7/16	X450307	XT45 3 7/16	XTB45 3 7/16	CXB45 3 7/16	MXT45 3 7/16	MXT-STL45 3 7/16	4	1/2	3-5/16	15/16	8	13/32	6-7/8	4	5/8 x 2-1/4	14.8	3-7/16	7/8 x 7/16	140
226879	XT 45 3 15/16	X450315	XT45 3 15/16	XTB45 3 15/16	CXB45 3 15/16	MXT45 3 15/16	MXT-STL45 3 15/16	4	1/2	3-5/16	15/16	8	13/32	6-7/8	4	5/8 x 2-1/4	14.8	3-15/16	1 x 1/2	140
226880	XT 45 4 7/16	X450407	XT45 4 7/16	XTB45 4 7/16	CXB45 4 7/16	MXT45 4 7/16	MXT-STL45 4 7/16	4	1/2	3-5/16	15/16	8	13/32	6-7/8	4	5/8 x 2-1/4	14.8	4-7/16	1 x 3/8*	140
226881	XT 50 3 7/16	X500307	XT50 3 7/16	XTB50 3 7/16	CXB50 3 7/16	MXT50 3 7/16	MXT-STL50 3 7/16	5	3-3/4	1	10-1/8	15/32	8-5/16	4	3/4 x 2-1/2	27.8	3-7/16	7/8 x 7/16	250	
226882	XT 50 3 15/16	X500315	XT50 3 15/16	XTB50 3 15/16	CXB50 3 15/16	MXT50 3 15/16	MXT-STL50 3 15/16	5	3-3/4	1	10-1/8	15/32	8-5/16	4	3/4 x 2-1/2	27.8	3-15/16	1 x 1/2	250	
226883	XT 50 4 7/16	X500407	XT50 4 7/16	XTB50 4 7/16	CXB50 4 7/16	MXT50 4 7/16	MXT-STL50 4 7/16	5	3-3/4	1	10-1/8	15/32	8-5/16	4	3/4 x 2-1/2	27.8	4-15/16	1-1/4 x 5/8	250	
226884	XT 50 4 15/16	X500415	XT50 4 15/16	XTB50 4 15/16	CXB50 4 15/16	MXT50 4 15/16	MXT-STL50 4 15/16	5	3-3/4	1	10-1/8	15/32	8-5/16	4	3/4 x 2-1/2	27.8	4-15/16	1-1/4 x 5/8	250	
226885	XT 60 3 15/16	X600315	XT60 3 15/16	XTB60 3 15/16	CXB60 3 15/16	MXT60 3 15/16	MXT-STL60 3 15/16	6	4-1/8	1-1/8	11-15/16	9/16	9-7/8	4	7/8 x 2-1/2	42.8	3-15/16	1 x 1/2	400	
226886	XT 60 4 7/16	X600407	XT60 4 7/16	XTB60 4 7/16	CXB60 4 7/16	MXT60 4 7/16	MXT-STL60 4 7/16	6	4-1/8	1-1/8	11-15/16	9/16	9-7/8	4	7/8 x 2-1/2	42.8	4-7/16	1 x 1/2	400	
226887	XT 60 4 15/16	X600415	XT60 4 15/16	XTB60 4 15/16	CXB60 4 15/16	MXT60 4 15/16	MXT-STL60 4 15/16	6	4-1/8	1-1/8	11-15/16	9/16	9-7/8	4	7/8 x 2-1/2	42.8	4-15/16	1-1/4 x 5/8	400	
226888	XT 60 5 7/16	X600507	XT60 5 7/16	XTB60 5 7/16	CXB60 5 7/16	MXT60 5 7/16	MXT-STL60 5 7/16	6	4-1/8	1-1/8	11-15/16	9/16	9-7/8	4	7/8 x 2-1/2	42.8	5-7/16	1-1/4 x 5/8	400	
226889	XT 60 5 1/2	X600508	XT60 5 1/2	XTB60 5 1/2	CXB60 5 1/2	MXT60 5 1/2	MXT-STL60 5 1/2	6	4-1/8	1-1/8	11-15/16	9/16	9-7/8	4	7/8 x 2-1/2	42.8	5-1/2	1-1/4 x 5/8	400	
226890	XT 60 5 15/16	X600515	XT60 5 15/16	XTB60 5 15/16	CXB60 5 15/16	MXT60 5 15/16	MXT-STL60 5 15/16	6	4-1/8	1-1/8	11-15/16	9/16	9-7/8	4	7/8 x 2-1/2	42.8	5-15/16	1-1/2 x 3/4	400	
226891	XT 60 6	X600600	XT60 6	XTB60 6	CXB60 6	MXT60 6	MXT-STL60 6	6	4-1/8	1-1/8	11-15/16	9/16	9-7/8	4	7/8 x 2-1/2	42.8	6	1-1/2 x 3/4	400	
226892	XT 70 6 1/4	X700604	XT70 6 1/4	XTB70 6 1/4	CXB70 6 1/4	MXT70 6 1/4	MXT-STL70 6 1/4	7	4-11/16	1-5/16	13-15/16	5/8	11-9/16	4	1 x 3	66.3	6-1/4	1-1/2 x 3/4	600	
226893	XT 70 6 7/16	X700607	XT70 6 7/16	XTB70 6 7/16	CXB70 6 7/16	MXT70 6 7/16	MXT-STL70 6 7/16	7	4-11/16	1-5/16	13-15/16	5/8	11-9/16	4	1 x 3	66.3	6-7/16	1-1/2 x 3/4	600	
226894	XT 70 6 1/2	X700608	XT70 6 1/2	XTB70 6 1/2	CXB70 6 1/2	MXT70 6 1/2	MXT-STL70 6 1/2	7	4-11/16	1-5/16	13-15/16	5/8	11-9/16	4	1 x 3	66.3	6-1/2	1-1/2 x 3/4	600	
226895	XT 70 6 15/16	X700615	XT70 6 15/16	XTB70 6 15/16	CXB70 6 15/16	MXT70 6 15/16	MXT-STL70 6 15/16	7	4-11/16	1-5/16	13-15/16	5/8	11-9/16	4	1 x 3	66.3	6-15/16	1-3/4 x 3/4	600	
226896	XT 70 7	X70700	XT70 7	XTB70 7	CXB70 7	MXT70 7	MXT-STL70 7	7	4-11/16	1-5/16	13-15/16	5/8	11-9/16	4	1 x 3	66.3	7	1-3/4 x 3/4	600	
226897	XT 80 7	X800700	XT80 7	XTB80 7	CXB80 7	MXT80 7	MXT-STL80 7	8	5-1/8	1-3/8	15-5/8	11/16	12-7/8	4	1-1/8 x 3-1/2	85.7	7	1-3/4 x 3/4	750	
226898	XT 80 7 1/4	X800704	XT80 7 1/4	XTB80 7 1/4	CXB80 7 1/4	MXT80 7 1/4	MXT-STL80 7 1/4	8	5-1/8	1-3/8	15-5/8	11/16	12-7/8	4	1-1/8 x 3-1/2	85.7	7 1/4	1-3/4 x 3/4	750	
226899	XT 80 7 7/16	X800707	XT80 7 7/16	XTB80 7 7/16	CXB80 7 7/16	MXT80 7 7/16	MXT-STL80 7 7/16	8	5-1/8	1-3/8	15-5/8	11/16	12-7/8	4	1-1/8 x 3-1/2	85.7	7-7/16	1-3/4 x 3/4	750	
226900	XT 80 7 1/2	X800708	XT80 7 1/2	XTB80 7 1/2	CXB80 7 1/2	MXT80 7 1/2	MXT-STL80 7 1/2	8	5-1/8	1-3/8	15-5/8	11/16	12-7/8	4	1-1/8 x 3-1/2	85.7	7-1/2	1-3/4 x 3/4	750	
226901	XT 80 7 15/16	X800715	XT80 7 15/16	XTB80 7 15/16	CXB80 7 15/16	MXT80 7 15/16	MXT-STL80 7 15/16	8	5-1/8	1-3/8	15-5/8	11/16	12-7/8	4	1-1/8 x 3-1/2	85.7	7-15/16	2 x 3/4	750	
226902	XT 80 8	X800800	XT80 8	XTB80 8	CXB80 8	MXT80 8	MXT-STL80 8	8	5-1/8	1-3/8	15-5/8	11/16	12-7/8	4	1-1/8 x 3-1/2	85.7	8	2 x 3/4	750	
226903	XT 100 8	X100800	XT100 8	XTB100 8	CXB100 8	MXT100 8	MXT-STL100 8	10	6-3/16	1-9/16	17-15/16	11/16	15-9/16	6	1-1/8 x 3-1/2	146.0	8	2 x 3/4	750	
226904	XT 100 8 1/2	X100808	XT100 8 1/2	XTB100 8 1/2	CXB100 8 1/2	MXT100 8 1/2	MXT-STL100 8 1/2	10	6-3/16	1-9/16	17-15/16	11/16	15-9/16	6	1-1/8 x 3-1/2	146.0	8-1/2	2 x 3/4	750	
226905	XT 100 9	X100900	XT100 9	XTB100 9	CXB100 9	MXT100 9	MXT-STL100 9	10	6-3/16	1-9/16	17-15/16	11/16	15-9/16	6	1-1/8 x 3-1/2	146.0	9	2 x 3/4	750	
226906	XT 100 9 7/16	X100907	XT100 9 7/16	XTB100 9 7/16	CXB100 9 7/16	MXT100 9 7/16	MXT-STL100 9 7/16	10	6-3/16	1-9/16	17-15/16	11/16	15-9/16	6	1-1/8 x 3-1/2	146.0	9-7/16	2-1/2 x 7/8	750	
226907	XT 100 9 1/2	X100908	XT100 9 1/2	XTB100 9 1/2	CXB100 9 1/2	MXT100 9 1/2	MXT-STL100 9 1/2	10	6-3/16	1-9/16	17-15/16	11/16	15-9/16	6	1-1/8 x 3-1/2	146.0	9-1/2	2-1/2 x 7/8	750	
226908	XT 100 10	X101000	XT100 10	XTB100 10	CXB100 10	MXT100 10	MXT-STL100 10	10	6-3/16	1-9/16	17-15/16	11/16	15-9/16	6	1-1/8 x 3-1/2	146.0	10	2-1/2 x 7/8	750	
226909	XT 120 10 1/2	X121008	XT120 10 1/2	XTB120 10 1/2	CXB120 10 1/2	MXT120 10 1/2	MXT-STL120 10 1/2	12	7-1/16	1-3/4	20-5/8	11/16	18-3/16	8	1-1/8 x 3-1/2	216.0	10-1/2	2-1/2 x 7/8	750	
226910	XT 120 11	X121100	XT120 11	XTB120 11	CXB120 11	MXT120 11	MXT-STL120 11	12	7-1/16	1-3/4	20-5/8	11/16	18-3/16	8	1-1/8 x 3-1/2	216.0	11	2-1/2 x 7/8	750	
226911	XT 120 11 1/2	X121108	XT120 11 1/2	XTB120 11 1/2	CXB120 11 1/2	MXT120 11 1/2	MXT-STL120 11 1/2	12	7-1/16	1-3/4	20-5/8	11/16	18-3/16	8	1-1/8 x 3-1/2	216.0	11-1/2	3 x 1	750	
226912	XT 120 12	X121200	XT120 12	XTB120 12	CXB120 12	MXT120 12	MXT-STL120 12	12	7-1/16	1-3/4	20-5/8	11/16	18-3/16	8	1-1/8 x 3-1/2	216.0	12	3 x 1	750	

# MXT™ Hub Interchange

Dodge	Lufr	PPI	Superior	Van Gorp	Continental	Martin Part Number	Dimensions (Inches)					Tapped Holes No.	Size	Wt. Lbs. (Approx.)	
							OD	LTB	Step OD	Step LTB	Taper Fit				B.C.
226916		XT-15 #73000	XTH-15	XTH-15	CXTH-15	MXTH-15	3.190	0.625	2.875	0.438	2.000	2.438	4	1/4-20	0.7
226917		XT-20 #73001	XTH-20	XTH-20	CXTH-20	MXTH-20	4.065	0.813	3.813	0.563	2.888	3.188	4	5/16-18	1.5
226918		XT-25 #73002	XTH-25	XTH-25	CXTH-25	MXTH-25	4.690	1.125	4.375	0.813	3.188	3.750	4	3/8-16	2.7
226919		XT-30 #73005	XTH-30	XTH-30	CXTH-30	MXTH-30	5.940	1.250	5.750	0.875	3.875	4.563	4	7/16-14	4.1
226920		XT-35 #73006	XTH-35	XTH-35	CXTH-35	MXTH-35	6.565	1.500	6.345	1.063	4.688	5.438	4	1/2-13	6.6
226921		XT-40 #73008	XTH-40	XTH-40	CXTH-40	MXTH-40	7.563	1.750	7.250	1.250	5.313	6.125	4	9/16-12	10.7
226922		XT-45 #73009	XTH-45	XTH-45	CXTH-45	MXTH-45	8.315	2.125	8.000	1.500	5.938	6.875	4	5/8-11	15.4
226923		XT-50 #73010	XTH-50	XTH-50	CXTH-50	MXTH-50	9.940	2.500	9.563	1.750	7.250	8.313	4	3/4-10	24.9
226924		XT-60 #73011	XTH-60	XTH-60	CXTH-60	MXTH-60	11.690	2.750	11.250	1.938	8.625	9.875	4	7/8-9	36.4
226925		XT-70 #73012	XTH-70	XTH-70	CXTH-70	MXTH-70	13.628	3.125	13.188	2.188	10.000	11.563	4	1-8	57.7
226926		XT-80 #73013	XTH-80	XTH-80	CXTH-80	MXTH-80	14.940	3.438	14.625	2.438	11.125	12.875	4	1-1/8-7	75.6
226927		XT-100 #73014	XTH-100	XTH-100	CXTH-100	MXTH-100	17.940	4.125	17.500	3.000	13.888	15.563	6	1-1/8-7	122.0



**INVENTORY:** *Martin* delivers with incredible fill rates from one of its many facilities strategically located across North America.



**SERVICE:** *Martin* ships rebores and other alterations within hours - not days... MTO's in days - not weeks.



**PEOPLE:** When you call *Martin* you get a person, not voice mail. We are ready, able and willing to help...Now!

## For more information contact a branch near you:

### USA

#### Corporate Offices

#### Sales and Manufacturing

##### Arlington, TX

3100 Sprocket Drive 76015-2898  
P.O. Box 91588  
Arlington, TX 76015-0088  
817-258-3000 (FAX 817-258-3333)

#### Regional Manufacturing Plants

##### Albemarle, NC (Conveyor Pulley Div.)

306 Bethany Road  
Albemarle, NC 28001-8520  
704-982-9555 (FAX 704-982-9599)

##### Burleson, TX

555 N. Burleson Blvd.  
Burleson, TX 76028  
817-295-7151 (FAX 817-447-3840)

##### Danielsville, PA

3376 Delps Road 18038-9515  
P.O. Box 267 • Danielsville, PA 18038-0267  
610-837-1841 (FAX 610-837-7337)

##### Ft. Worth, TX (Conveyor Div.)

3600 McCart Avenue  
Ft. Worth, TX 76110-4692  
817-258-3000 (FAX 817-258-3173)

##### Ft. Worth, TX (Tool & Forge Div.)

3600 McCart Avenue  
Ft. Worth, TX 76110-4692  
817-258-3000 (FAX 817-258-3173)

##### Montpelier, OH

350 S. Airport Road  
Montpelier, OH 43543-9329  
419-485-5515 (FAX 419-485-3565)

##### Sacramento, CA

1199 Vine Street  
Sacramento, CA 95814-0426  
916-441-7172 (FAX 916-441-4600)

##### Scottsdale, GA

3303 Church Street 30079-1395  
P.O. Box 886 • Scottsdale, GA 30079-0886  
404-292-8744 (FAX 404-292-7771)

#### Branch Manufacturing Centers

##### Boston, MA

357 Fortune Boulevard  
Milford, MA 01757-1723  
508-634-3990 (FAX 508-634-3998)

##### Charlotte, NC

3901 Scott Futrell Drive  
Charlotte, NC 28208-3539  
704-394-9111 (FAX 704-394-9122)

##### Chicago, IL

1505 Birchwood Avenue  
Des Plaines, IL 60018-3001  
847-298-8844 (FAX 847-298-2967)

##### Denver, CO

10800 East 54th Avenue  
Denver CO 80239-2124  
303-371-8466 (FAX 303-371-7116)

##### Houston, TX

9910 Bent Oak Drive  
Houston, TX 77040-3222  
713-849-4330 (FAX 713-849-4807)

##### Kansas City, MO

1520 North Commerce Avenue  
Kansas City, MO 64120-4961  
816-231-5575 (FAX 816-231-1959)

##### Los Angeles, CA

5920 South Triangle Drive  
Commerce, CA 90040-3639  
323-728-8117 (FAX 323-722-7526)

##### Minneapolis, MN

10601 Hampshire Avenue South  
Bloomington, MN 55438-2395  
952-829-0623 (FAX 952-944-9385)

##### Nashville, TN

732 Massman Drive  
Nashville, Tennessee 37210  
615-871-4730 (FAX 615-871-4125)

##### Portland, OR

3030 Northwest Industrial Street  
Portland, OR 97210-1734  
503-223-7261 (FAX 503-221-0203)

##### Tampa, FL

3201 Queen Palm Drive  
Tampa FL 33619-1331  
813-623-1705 (FAX 813-626-8953)

##### Wayne, NJ

7 High Point Drive  
Wayne, NJ 07470-7432  
973-633-5700 (FAX 973-633-7196)

#### Manufacturing Only

##### Abilene, TX • Clarksville, TX

##### Dallas, TX • Mansfield, TX

##### Paragould, AR

### CANADA

#### Sales and Manufacturing

##### *Martin* Sprocket & Gear Canada Inc.

##### Edmonton, Alberta

4023/4027 53rd Avenue,  
Edmonton, Alberta, Canada T6B 3C6  
780-450-0888 (Fax 780-465-0079)

##### Mississauga, Ontario

896 Meyerside Drive  
Mississauga, Ontario, Canada L5T 1R9  
905-670-1991 (FAX 905-670-2110)

##### Ayr, Ontario (Conveyor Div.)

320 Darrell Drive  
Ayr, Ontario, Canada N0B 1E0  
519-621-0546 (FAX 519-621-4413)

### MEXICO

#### Sales and Manufacturing

##### *Martin* Sprocket & Gear

##### de México, S.A. de C.V.

##### Guadalajara, JAL

Av. Colón Sur No. 6013, Edificio 1 Modulo 2  
Colonia Santa María Tequepexpan  
Tlaquepaque, Jalisco Mexico 45601  
+52 33-3283-1188 (martin76@martinsprocket.com)

##### Monterrey, N.L.

Av. Industrial No. 100  
Lote 6 y 7, Manzana 11  
Parque Industrial La Silla Apodaca  
Apodaca, N.L. México 66600  
+52 811 156 6830 (martin75@martinsprocket.com)

##### Toluca, MEX

Km 52 Carretera, Naucalpan-Toluca  
Calle 3, Manzana VII, Lote 11  
Parque Industrial Toluca 2000  
Toluca, Edo. de México 50200  
+52 722 276 0800 (martin74@martinsprocket.com)

### SOUTH AMERICA

#### Sales and Manufacturing

##### *Martin* Sprocket & Gear do Brazil

##### São Paulo, SP

SP 332 Km 154,5  
Artur Nogueira – São Paulo  
CEP 13160-000  
C.P. 138  
Tel: 19 3877 4500

### CHINA

#### Asia Division Headquarters

##### *Martin* Sprocket & Gear (Shanghai) Co., Ltd.

81 Tangyao Road,  
Huating Town, Jiading District,  
Shanghai 201816, P. R. China  
Tel.: (86) 21-5995 0269  
Fax: (86) 21-5995 3270

##### Tianjin • Changzhou

##### Chengdu • Fuzhou

***Martin* Sprocket & Gear, Inc. • 3100 Sprocket Drive Arlington, TX 76015 • 817-258-3000**

**www.martinsprocket.com**