



1200-25 CC Closed Circuit Plant

This plant is designed for larger-size jobs that require cubicle spec products from a highly portable crushing and screening plant on one chassis.

Features

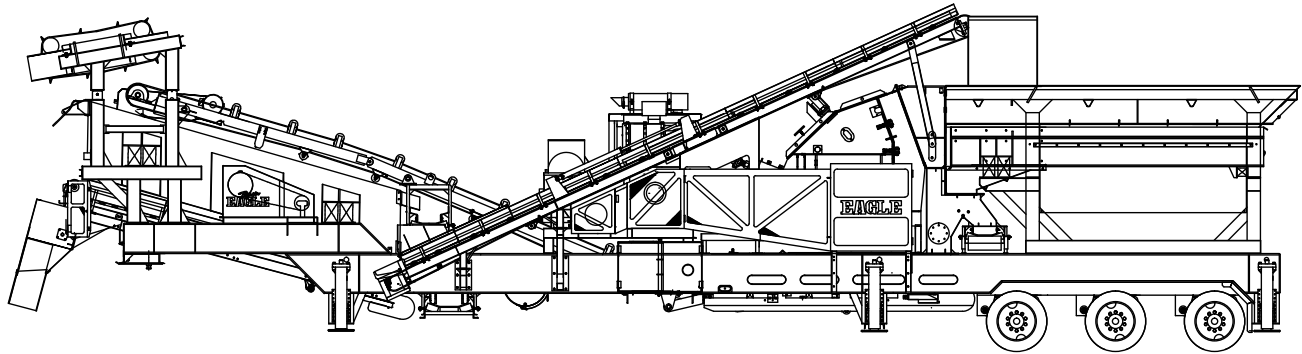
- ❶ One-pull transport with optional rear tag axle. Check with your DOT.
- ❷ Two-deck inclined screen produces two cubical spec products.
- ❸ Top-deck retained material is returned to the crusher for further processing.
- ❹ Hydraulic lift and leveling system enables quick set up and tear down by using the hydraulic run-on legs.
- ❺ Totally self-contained, reliable diesel/electric or all-electric power. You won't have to worry about hydraulic leaks and failures shutting you down.
- ❻ Available in-line electro-magnet removes for transport.
- ❼ Features the industry's only LIFETIME ROTOR WARRANTY on its solid-steel, three-bar, sculptured rotor—the industry's heaviest—to keep you up and crushing.*



* North America only.

Additional Features

- Features closed-circuit crushing and screening on one chassis.
- Replaces Jaw/Cone/Screen multi-unit systems for a much lower initial investment while maintaining a high production of cubical spec product. Greatly reduces maintenance and fuel costs and is easily transported.
- Features unique two-step, 5' grizzly deck to remove fines before crushing.
- Features standard grizzly bypass chute and available cross-belt conveyor with flop gate to allow for either removal of the material that passes through the grizzly deck for stockpiling or blending back with the crushed material.
- Includes plant-mounted electrical control panel featuring pre-wired receptacles for radial stackers.
- Transports easily with the hydraulic retractable return conveyor and folding side conveyor.
- Manage the feeder speed for complete control of the flow of material into the impactor with Variable Frequency Drive (VFD).
- Includes wireless remote control for the feeder shutdown and all motor stop.



1200-25 CC Specifications*

Impactor	UM-25
Overall Length	65' 3" / 19.9M
Gross Weight	123000lbs / 55800kgs
Travel Length	58' 2" / 17.7M
Travel Width	11' 11" / 3.6M
Travel Height	13' 5" / 4.1M
Feed Hopper Capacity	17yd ³ / 13M ³
Feed Hopper Capacity (Tons)	23.0T / 20.9MT
Vibrating Feeder	18' x 45.5" / 5.5M x 1.2M
Feeder Grizzly Deck	60" long 2 step / 1524mm 2 step
On-Plant Power Supply Diesel	325HP / 242kW diesel engine and 140kW generator or 425HP / 317kW diesel engine and 200kW generator
On-Plant Power Supply Electric	250HP / 186kW all-electric power
Discharge Conveyor Width	42" / 1067mm
Two Deck Inclined Screen	5' x 16' / 1.5M x 4.9M
Top Screen Deck Cross Conveyor Width	18" / 457mm
Bottom Screen Deck Cross Conveyor Width	24" / 610mm
Fines Screen Conveyor Width	42" / 1067mm
Return Conveyor (Hydraulic Fold) Width	24" / 610mm

UltraMax® Impactor Model and Specifications*

Model	Diameter x Width	Width x Height	Power Required (HP / kW)	Approx. Weight (lbs / kg)	Rotor Weight (lbs / kg)	Production Capacity**
	Rotor (Inches / Millimeters)	Feed Opening (Inches / Millimeters)				
UM-25	47 x 47 / 1194 x 1194	48 x 34 / 1219 x 864	150 - 300 / 112 - 224	34000 / 15400	13000 / 5900	Varies by application.

*Design specifications subject to change without notice.

**Contact your Eagle Sales Representative with your specific application for anticipated production capacity.