



500-05 CC Closed Circuit Plant

This plant is designed for smaller-sized jobs that require cubicle spec products from a highly portable crushing and screening plant on one chassis.

Features

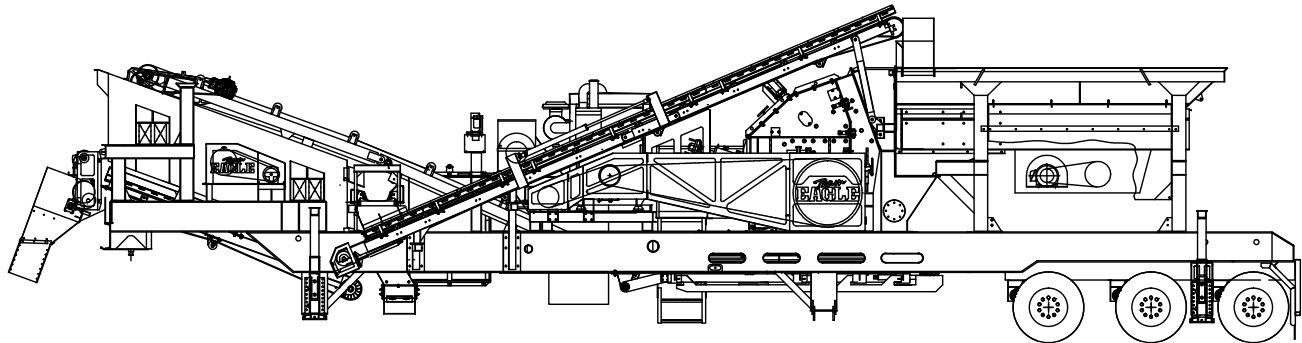
- 1 Easily transports in one pull. Check with your DOT.
- 2 Two-deck inclined screen produces two cubical spec products.
- 3 Top-deck retained material is returned to the crusher for further processing.
- 4 Hydraulic lift and leveling system enables quick set up and tear down by using the hydraulic run-on legs.
- 5 Totally self-contained, reliable diesel/ electric or all-electric power. You won't have to worry about hydraulic leaks and failures shutting you down.
- 6 Available in-line electro-magnet removes for transport.
- 7 Features the industry's only LIFETIME ROTOR WARRANTY on its solid-steel, three-bar, sculptured rotor—the industry's heaviest—to keep you up and crushing.*



* North America only.

Additional Features

- Features closed-circuit crushing and screening on one chassis.
- Replaces Jaw/Cone/Screen multi-unit systems for a much lower initial investment while maintaining a high production of cubical spec product. Greatly reduces maintenance and fuel costs and is easily transported.
- Features unique two-step, 5' grizzly deck to remove fines before crushing.
- Features standard grizzly bypass chute and available cross-belt conveyor with flop gate to allow for either removal of the material that passes through the grizzly deck for stockpiling or blending back with the crushed material.
- Includes plant-mounted electrical control panel featuring pre-wired receptacles for radial stackers.
- Transports easily with the hydraulic retractable return conveyor.
- Manage the feeder speed for complete control of the flow of material into the impactor with Variable Frequency Drive (VFD).
- Includes wireless remote control for the feeder shutdown and all motor stop.



500-05 CC Specifications*

Impactor	UM-05
Overall Length	63' 0" / 19.2M
Gross Weight	90500lbs / 41100kgs
Travel Length	57' 0" / 17.4M
Travel Width	11" 0" / 3.4M
Travel Height	13' 6" / 4.1M
Feed Hopper Capacity	9yd ³ / 6.9M ³
Feed Hopper Capacity (Tons)	12.2T / 11.1MT
Vibrating Feeder	16' x 32" / 4.9M x 0.8M
Feeder Grizzly Deck	60" long 2 step / 1524mm 2 step
On-Plant Power Supply Diesel	325HP / 242kW diesel engine and 140kW generator
On-Plant Power Supply Electric	150HP / 112 kW all-electric power
Discharge Conveyor Width	36" / 914mm
Two Deck Inclined Screen	4' x 12' / 1.2M x 3.7M
Top Screen Deck Cross Conveyor Width	18" / 457mm
Bottom Screen Deck Chute	Yes
Fines Screen Conveyor Width	42" / 1067mm
Return Conveyor (Hydraulic Fold) Width	18" / 457mm

UltraMax® Impactor Model and Specifications*

Model	Diameter x Width	Width x Height	Power Required (HP / kW)	Approx. Weight (lbs / kg)	Rotor Weight (lbs / kg)	Production Capacity**
	Rotor (Inches / Millimeters)	Feed Opening (Inches / Millimeters)				
UM-05	40 x 33 / 1016 x 838	33 x 32 / 838 x 813	75 - 150 / 56 - 112	20900 / 9500	7000 / 3200	Varies by application.

*Design specifications subject to change without notice.

**Contact your Eagle Sales Representative with your specific application for anticipated production capacity.