

ULTRAMAX® 400-CV Portable Impactor Plant

This highly portable impactor plant is one of the most durable, reliable, and versatile plants for your smaller-sized jobs.

Features

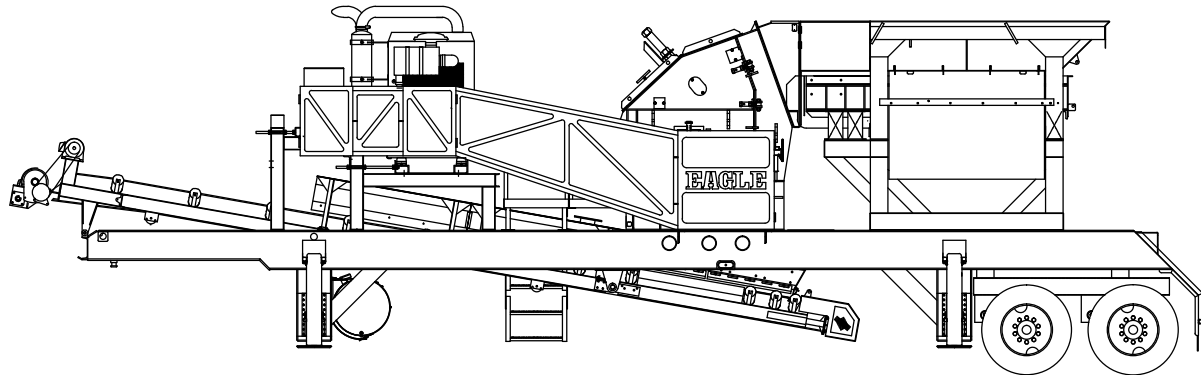
- ❶ Easily transports in one pull. Check with your DOT.
- ❷ Optional electro-magnet is available as a cross-belt or in-line installation that stays on for transport.
- ❸ Hydraulic lift and leveling system enables quick set up and tear down by using the hydraulic run-on legs.
- ❹ Totally self-contained, reliable diesel/ electric or all-electric power. You won't have to worry about hydraulic leaks and failures shutting you down.
- ❺ Features the industry's only LIFETIME ROTOR WARRANTY on its solid-steel, three-bar, sculptured rotor—the industry's heaviest—to keep you up and crushing.*



* North America only.

Additional Features

- Outperforms similar sized track units for production and quality of product.
- Transports with ease. Just hook up the tractor and go. No additional or specialized trailer necessary.
- Moves easily around the job site with the optional dolly kit with pintle hitch.
- Features unique one-step, grizzly deck to remove fines before crushing.
- Features standard grizzly bypass chute and available cross-belt conveyor with flop gate to allow for either removal of the material that passes through the grizzly deck for stockpiling or blending back with the crushed material.
- Includes removable electrical control panel featuring pre-wired receptacles for radial stackers.
- Manage the feeder speed for complete control of the flow of material into the impactor with Variable Frequency Drive (VFD).
- Includes wireless remote control for the feeder shutdown and all motor stop.



UltraMax[®] 400-CV Technical Specifications*

Impactor	UM-04
Overall Length	45' 10" / 14.0M
Gross Weight	56500lbs / 25600kgs
Travel Length	41' 0" / 12.5M
Travel Width	8' 6" / 2.6M
Travel Height	13' 5" / 4.1M
Feed Hopper Capacity	7yd ³ / 5.4M ³
Feed Hopper Capacity (Tons)	9.5T / 8.6MT
Vibrating Feeder	10' 9" x 26" / 3.3M x 0.7M
Feeder Grizzly Deck	33" long 1 step / 838mm 1 step
On-Plant Power Supply Diesel	225HP / 168kW diesel engine and 40kW generator
On-Plant Power Supply Electric	100HP / 75kW all-electric power
Discharge Conveyor Width	24" / 610mm
Discharge Conveyor Height	7' 2" / 2187mm

UltraMax[®] Impactor Model and Specifications*

Model	Diameter x Width		Width x Height		Power Required (HP / kW)	Approx. Weight (lbs / kg)	Rotor Weight (lbs / kg)	Production Capacity**
	Rotor (Inches / Millimeters)	Feed Opening (Inches / Millimeters)	Power Required (HP / kW)	Approx. Weight (lbs / kg)				
UM-04	40 x 26 / 1016 x 660	27 x 32 / 686 x 813	60 - 100 / 45 - 75	17400 / 7900	5100 / 2300	Varies by application.		

*Design specifications subject to change without notice.

**Contact your Eagle Sales Representative with your specific application for anticipated production capacity.