



RMS

Series Vibrating Inclined Screens



The Affordable Alternative in New Crushing Equipment

Gator Machinery Company specializes in designing, manufacturing and selling quarry and mining related products. The RMS Series Vibrating Inclined Screens was designed with the rugged requirements of today's mining & aggregate industry in mind, durable, highly efficient, low noise level and ease of maintenance make the RMS Screens the choice of many mining & aggregate producers. With sizes ranging from the 4' x 10' 2-deck screen to the 8' x 20' 3-deck screen and designed to be used dry or wet, the RMS Inclined Screen can meet today's material producers needs.

Standard Features

- Huck Bolt construction
- Variable stroke & speed combinations
- Bolt on feed box and discharge lip liners
- Rubber cushioned deck ribs
- Tubular cross members
- Positive grease-type eccentric shaft bearings
- Heavy duty, two bearing eccentric shaft
- Heavy duty screen cloth support frames
- 8 Heavy duty springs & brackets
- Flywheel and drive sheave guards
- Can be used wet or dry

Optional Features

- Electric motor
- Motor drive sheave/Bushing



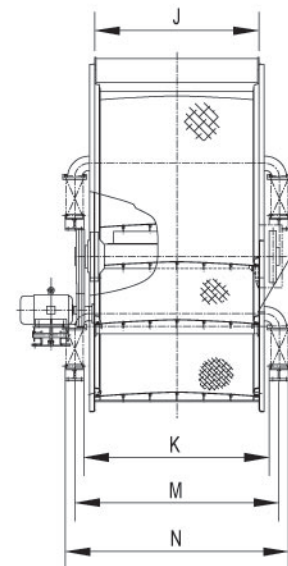
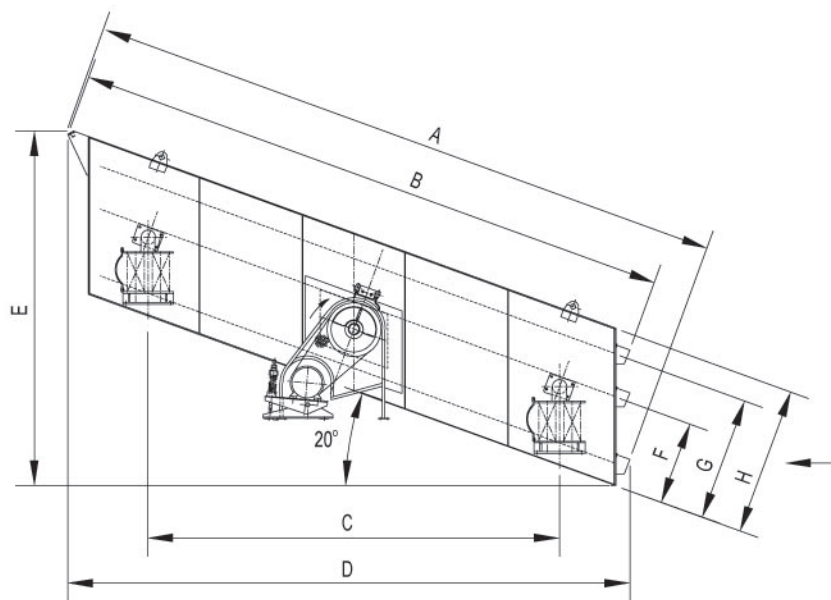
The Affordable Alternative in New Crushing Equipment

Specifications

Model	Number of decks	Deck size FEET	Max.feed size INCHES	Bearing size MM	Capacity TPH	Shaft speed RPM	Double amplitude MM	Motor power HP	Weight (Excluding Motor)LBS
RMS410 × 2	2	4 × 10	8	100	50-120	850	8	10	4,400
RMS410 × 3	3	4 × 10	8	100	50-120	850	8	10	5,300
RMS514 × 2	2	5 × 14	16	130	50-200	850	8	20	7,950
RMS516 × 3	3	5 × 16	16	130	100-250	850	8	20	10,660
RMS616 × 3	3	6 × 16	16	140	100-350	850	8	25	12,530
RMS620 × 3	3	6 × 20	16	140	200-450	850	8	30	15,250
RMS820 × 3	3	8 × 20	16	160	300-600	850	8	50	19,300

Dimensions (Inches)

Model	A	B	C	D	E	F	G	H	J	K	M	N
RMS410 × 2	150 3/8	141 3/4	74	132 7/8	85 1/4	30 3/4	-	37 3/8	48	57 3/8	65 1/4	73 1/8
RMS410 × 3	154 3/8	140 1/2	74	132 1/16	99 1/2	30 3/4	45 1/4	51 1/8	48	57 3/8	65 1/4	73 1/8
RMS514 × 2	199 3/8	189 1/4	110 1/4	170 3/8	110 5/8	37	-	46 1/2	59	69	76 7/8	84 3/4
RMS516 × 3	232 5/8	216 1/8	135 1/2	201 5/8	139 3/8	37	54 3/4	65	59	69	76 7/8	84 3/4
RMS616 × 3	232 5/8	216 1/8	135 1/2	201 5/8	139 3/8	37	54 3/4	65	72	82	89 7/8	97 3/4
RMS620 × 3	280 5/8	264 1/8	180 1/2	246 5/8	155 3/4	37	54 3/4	65	72	79 5/8	89 7/8	100 1/8
RMS820 × 3	292 1/8	272 1/8	180 1/2	251 1/2	175 5/8	39	64 5/8	81 7/8	96	107 7/8	118 1/8	128 3/8



Design & Specifications Subject to Change Without Notice

11020 Cherry Avenue, Fontana, CA 92337
Tel: (909)823-1688 Fax: (909)823-6868

August 2009