



## ULTRAMAX™ 1400-OC Open Circuit Portable Impactor Plant

This highly portable impactor plant is one of the most durable, reliable, and versatile plants for your larger-sized jobs.

### Features

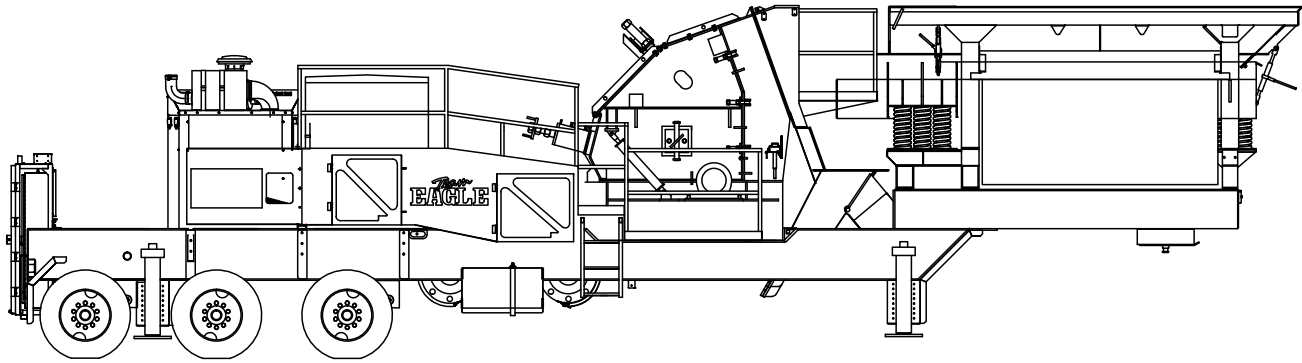
- 1 Discharge material feeds to a separate conveyor coming out of the side of the crusher at a 90-degree angle.
- 2 Available in-line electro-magnet on side-discharge conveyor.
- 3 Hydraulic lift and leveling system enables quick set up and tear down by using the hydraulic run-on legs.
- 4 Totally self-contained, reliable diesel/ electric or all-electric power. You won't have to worry about hydraulic leaks and failures shutting you down.
- 5 Features the industry's only LIFETIME ROTOR WARRANTY on its solid-steel, three-bar, sculptured rotor—the industry's heaviest—to keep you up and crushing.\*



\* North America only.

### Additional Features

- Replaces dual crusher systems for a much lower initial investment and for greatly reduced maintenance, fuel and transportation costs.
- Features unique two-step, 5' grizzly deck to remove fines before crushing.
- Features standard grizzly bypass chute and available cross-belt conveyor with flop gate to allow for either removal of the material that passes through the grizzly deck for stockpiling or blending back with the crushed material.
- Utilizes side-discharge conveyor with receiving hopper and replaceable liners, optional full-length skirtboards and available, in-line electro-magnet that stays on for trailer transport.
- Side-discharge conveyor is available in road-portable version.
- Includes removable electrical control panel featuring pre-wired receptacles for radial stackers.
- Manage the feeder speed for complete control of the flow of material into the impactor with Variable Frequency Drive (VFD).
- Includes wireless remote control for the feeder shutdown and all motor stop.



### **ULTRAMAX® 1400-OC Technical Specifications\***

Impactor	UM-45
Overall Length	50' 0" / 15.2M
Gross Weight	123000lbs / 55800kgs
Travel Length	44' 6" / 13.6M
Travel Width	11' 11" / 3.6M
Travel Height	13' 5" / 4.1M
Feed Hopper Capacity	19yd <sup>3</sup> / 20.6M <sup>3</sup>
Feed Hopper Capacity (Tons)	25.7T / 23.3MT
Vibrating Feeder	18' x 57" / 5.5M x 1.5M
Feeder Grizzly Deck	60" long 2 step / 1524mm 2 step
On-Plant Power Supply Diesel	500HP / 373kW diesel engine and 200kW generator
On-Plant Power Supply Electric	400 HP / 298kW all-electric power
Side-discharge conveyor Width	42" / 1067mm
Discharge Conveyor Height	9' 3" / 2816mm

### **UltraMax® Impactor Model and Specifications\***

Model	Diameter x Width	Width x Height	Power Required (HP / kW)	Approx. Weight (lbs / kg)	Rotor Weight (lbs / kg)	Production Capacity**
	Rotor (Inches / Millimeters)	Feed Opening (Inches / Millimeters)				
UM-45	50 x 56 / 1270 x 1422	56 x 35 / 1422 x 889	300 - 400 / 224 - 298	40100 / 18200	17600 / 8000	Varies by application.

\*Design specifications subject to change without notice.

\*\*Contact your Eagle Sales Representative with your specific application for anticipated production capacity.